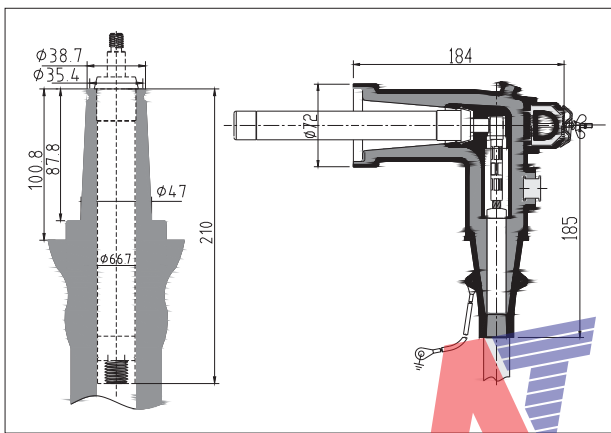


15kV | 肘型PT 插头 PT Elbow connector

用于为电动操作机构提供操作电源或计量保护用的JDZ12A-10R互感器高压侧的全绝缘、全屏蔽、全密封连接，适用电缆截面25~120mm²。拔插连接非常简单，有可靠的防松脱装置。



1. Used to provide operating power for electric operating mechanism.
2. Provide fully-insulation, fully screened and fully-submersible connection for JDZ12A-10R mutual inductance high-voltage apparatus of measure protection.
3. The conductor cross section is 25~120mm².
4. Easy to install and has a good performance of separating-prevention.

15kV | 接地肘型插头 Grounding elbow connector

接地肘型插头用于电缆检修时的接地线，可为电缆的试验提供引出线。接地肘型插头可单独使用，也可和箱变及环网开关柜的单、双通套管构成可见电缆接地点。

1. Apply to earthing wire of cable maintenance.
2. It provides outgoing line for cable testing.
3. It can mate with pad-mound transformer, switch gear, bushing insert and loadbreak rotatable feed-thru insert to effect visible grounding point.
4. Can also be used alone.

