

▶ 12-24kV 630A RMU bushing



Type: AIB 1# -24/630

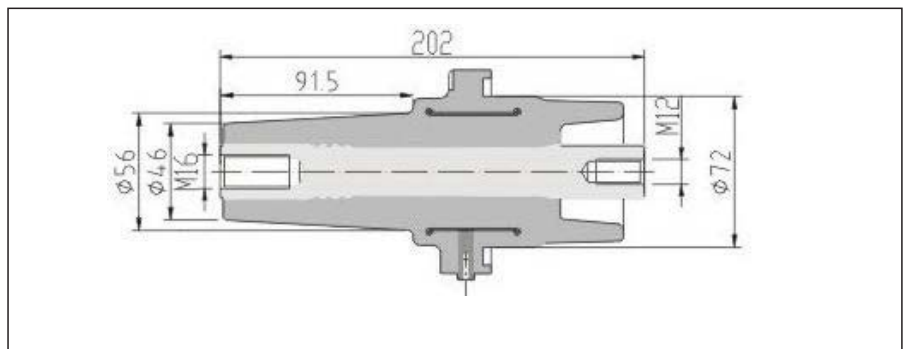


Type: AIB 2# -24/630

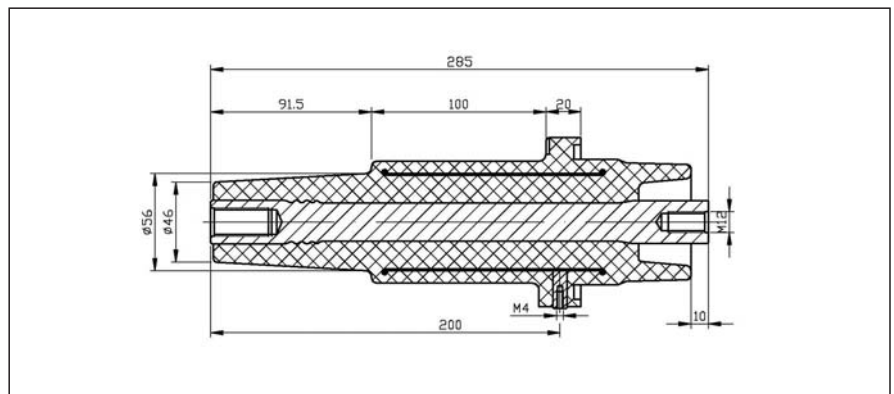


Type: AIB 3# -24/630

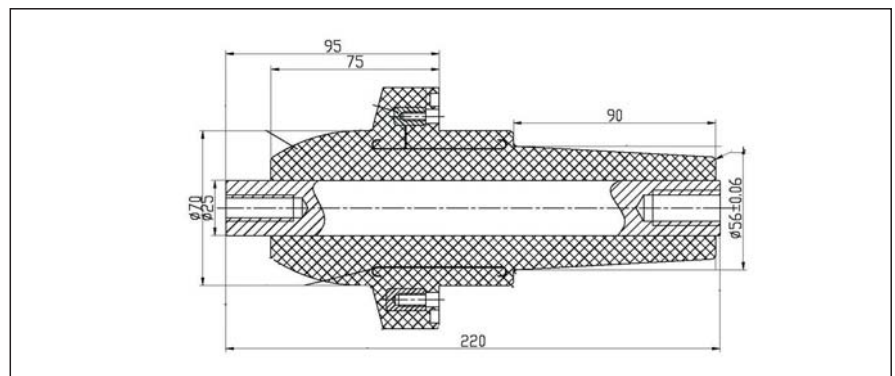
1. Suitable for inflatable type Ring Main Unit.
2. Can effectively seal dielectric in the cabinet.
3. Fully insulated , free maintenance.



Type: AIB 1# -24/630



Type: AIB 2# -24/630



Type: AIB 3# -24/630