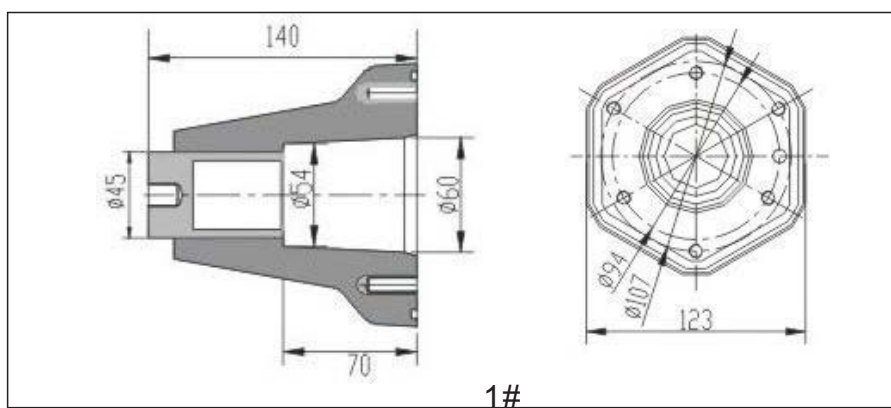


▶ 35kV Inner cone socket

1. Suitable for incoming connecting of GIS high-voltage unit and with insulation performance for SF6 unit.
2. Suitable for indoor & outdoor application.
3. Fully insulated and free of maintenance.
4. The connection size is compliant to DIN47637 standard.



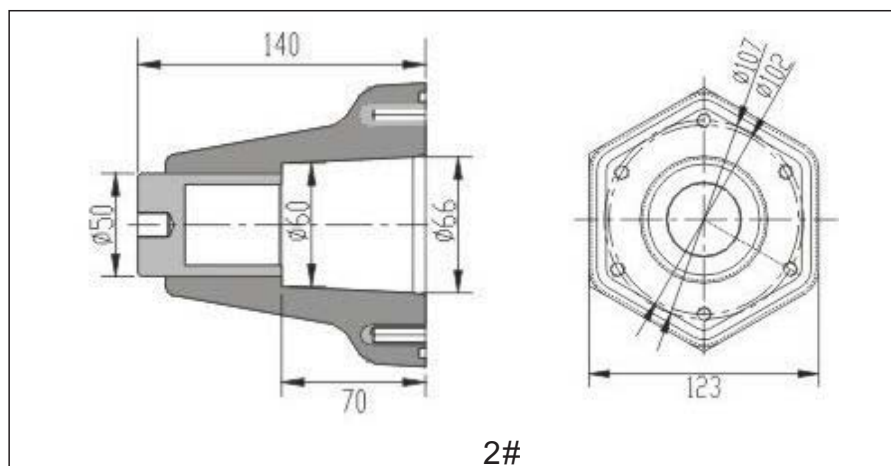
Type: ANC-1
1# Inner cone socket



1#



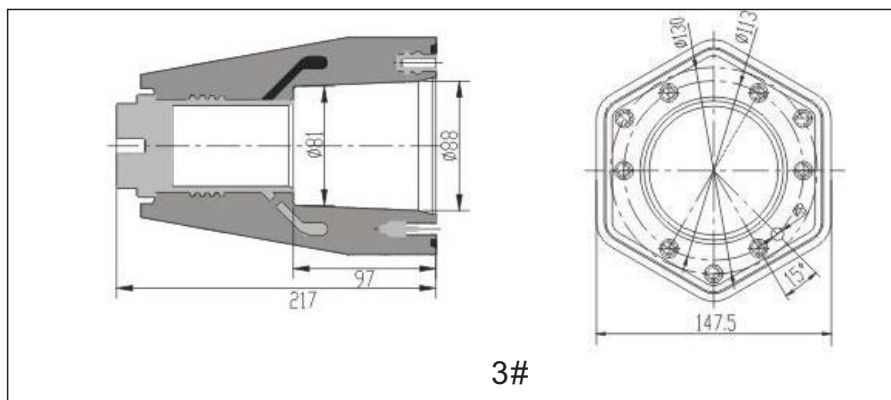
Type: ANC-2
2# Inner cone socket



2#



Type: ANC-3
3# Inner cone socket



3#