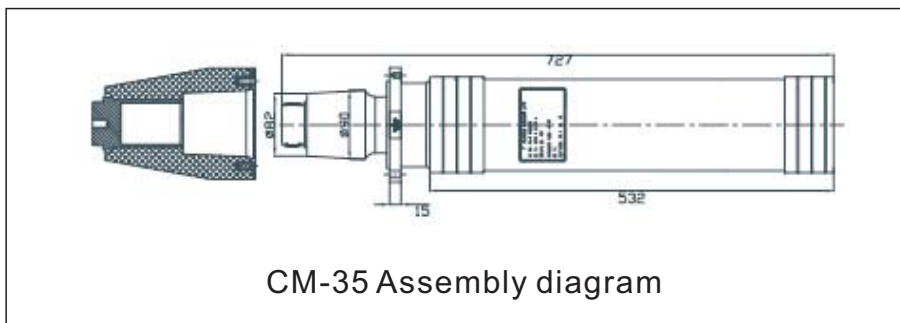


AMPLETEK Cable accessories - Medium Voltage

▶ 35kV Screen over-voltage protection surge arrester



1. The most advance in the world.
2. Suitable for at or under 35kV GIS Fully-sealed combination electrics.
3. With the performance characteristics of metal oxide surge arresters.
4. Adopt fully sealed metal shell , touchable , anti-electric shock, safe us.
5. Solid insulated plug-in type assembly, easy use.
6. Excellent organic insulated materials, high dielectric strength.



Type: CM-35
Screened over-voltage
protection surge arrester

Performance parameters

Type	Unit	CM-35
System nominal voltage	kV(r.m.s)	35
Rated voltage	kV(r.m.s)	51
Continuous operation voltage	kV(r.m.s)	40.5
At D.C. 1mA voltage U_{1mA}	\geq kV	73
Lightning impulse current residual voltage \leq kV	Steep Lightning Operating	154 134 114
2ms Retangular current withstand	A	400(600)
4/10 μ s High current impulse withstand	kA	65