

AMPLETEK Cable accessories - Medium Voltage

▶ 35kV Current Test Device

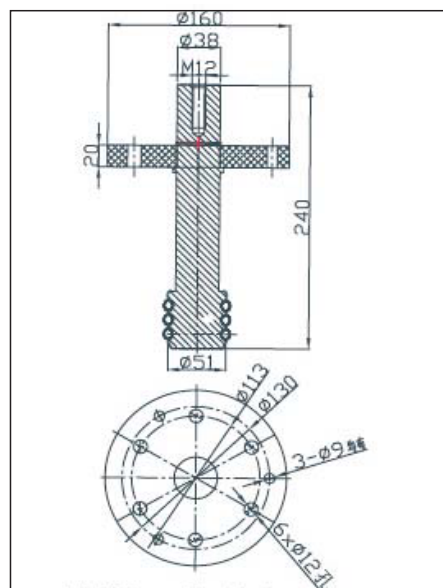
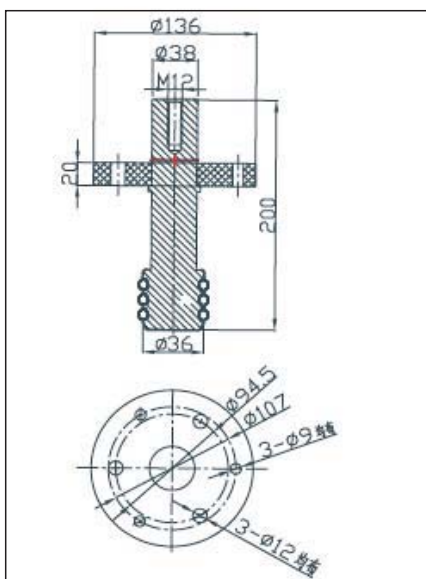


Type: APCT-2
35kV Current Test Device2#

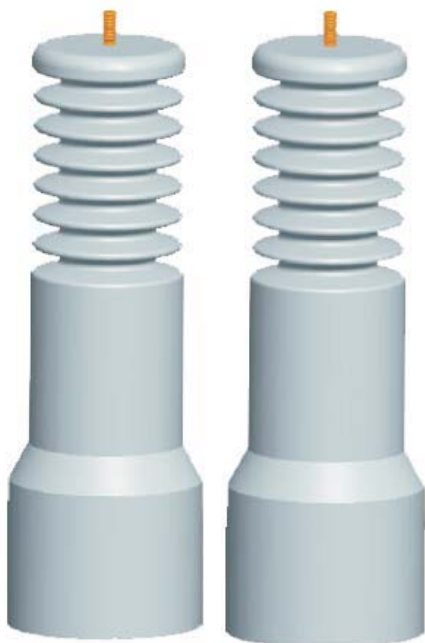


Type: APCT-2
35kV Current Test Device2#

Suitable for large current test of apparatus with inner cone socket, such as gas insulated switch and transformer etc. Put the product into the homologous socket and the test wire connect to the bolt of the product when do the test.

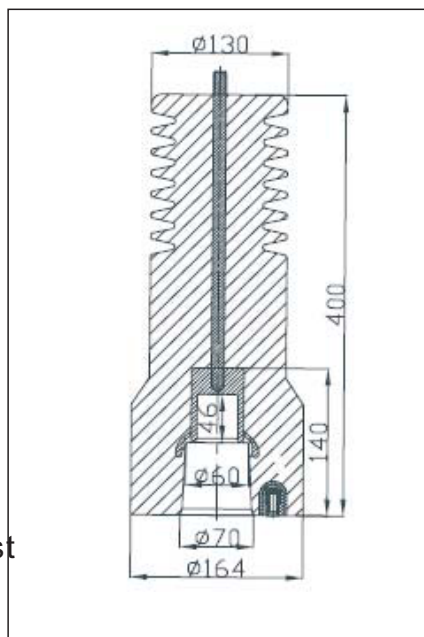


▶ 35kV Voltage Test Socket

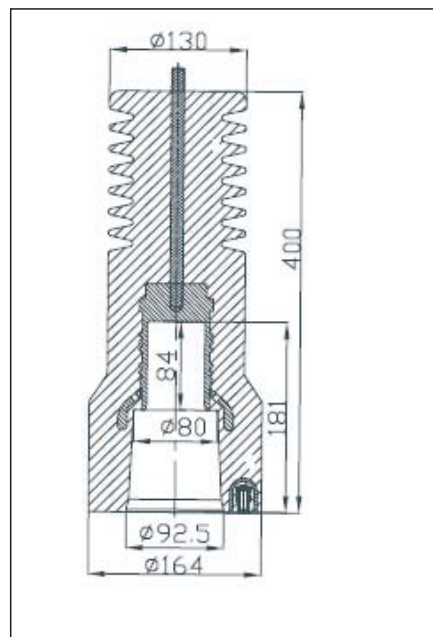


Type: APVT-2 Type: APVT-3
35k Voltage 35k Voltage Test
Test Socket2# Socket3#

Apply to electrical test for the cable with inner cone plug-in termination.



2#



3#