

Installation Instruction

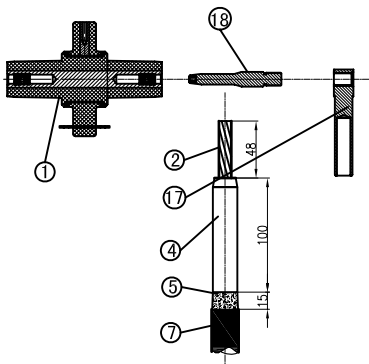
AZT-24/250/□ (Elbow connector)

AZC-24/250/□ (Straight connector)

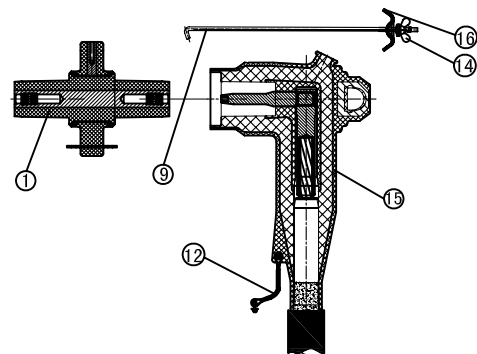
Apply to 12/24kV XLPE Insulated Power Cable. Suitable for cable cross section 25-150mm²

Components description

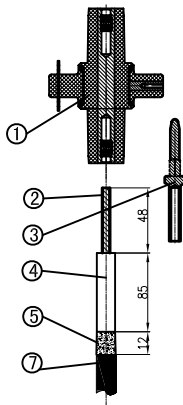
1	Bushing	8	Copper flat washer	15	Elbow connector
2	Cable core	9	Bolt	16	Compress board
3	Lug(straight connector)	10	Straight connector	17	Lug(Elbow connector)
4	Core insulation	11	Spanner	18	Linking rod
5	Semi-conductive layer	12	Earthing wire		
6	Nut	13	Washer		
7	Insulation tube	14	Butterfly Nut		



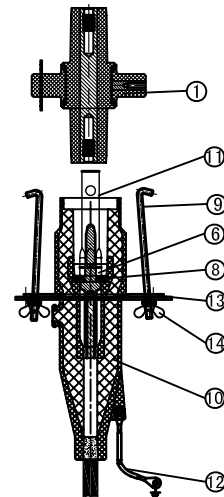
Cable stripping(Elbow connector)



Elbow connector installation



Cable stripping (Straight connector)



Straight connector installation

Attention: This products need to be installed by trained electrical engineer following the safe using guide of high-voltage equipment.

1. The length of phase shall not less than 650mm.
2. Do not cut core insulation, Make a bevel at semi-conductive layer and core insulation.
3. Cut the cold (heat) shrink tube circularly, make sure the trim cutting and accurate size.
4. The position chain is fixed on the semi-conductive layer against up port of shrink tube.
5. The direction of lug hole and bushing should be in the same line when compress the lug.
6. Must keep the contact parts clean before daub the lubricate evenly.